

WOOD DESTROYING PESTS AND ORGANISMS INSPECTION REPORT

| | | | | | |
|----------------------|------------------------|------------------|--------------|----------------------------------|----------------------|
| Building No. 3424 | Street Rockhold Ave | City Rosemead | ZIP 91770 | Date of Inspection 04/16/2026 | Number of Pages 9 |
|----------------------|------------------------|------------------|--------------|----------------------------------|----------------------|



Superior Care Termite Inc.
 13516 Lakewood Blvd #D
 Bellflower CA 90706
 (562) 607-9420 (562) 302-7968
 contact@superiorcaretermite.com
 Fax (562) 634-6862

Report # : 16161
 Registration # : PR-7397
 Escrow # :
 CORRECTED REPORT

| | | |
|--|--|--|
| Ordered by: 3424 Rockhold Ave Rosemead CA 91770 United States | Property Owner and Party of Interest: 3424 Rockhold Ave Rosemead CA 91770 United States | Report sent to: 3424 Rockhold Ave Rosemead CA 91770 United States |
|--|--|--|

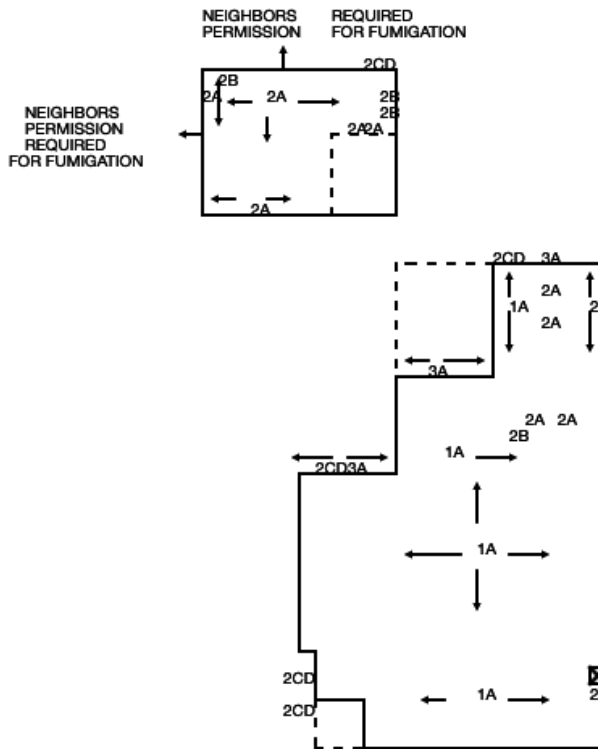
COMPLETE REPORT LIMITED REPORT SUPPLEMENTAL REPORT REINSPECTION REPORT

| | |
|--|---------------------------------|
| GENERAL DESCRIPTION: ONE STORY HOUSE, COMPOSITION ROOF, ATTACHED GARAGE, RAISED, VACANT | Inspection Tag Posted: Other |
| | Other Tags Posted: N/A |

An inspection has been made of the structure(s) shown on the diagram in accordance with the Structural Pest Control Act. Detached porches, detached steps, detached decks and any other structures not on the diagram were not inspected.

Subterranean Termites Drywood Termites Fungus / Dryrot Other Findings Further Inspection
If any of the above boxes are checked, it indicates that there were visible problems in accessible areas. Read the report for details on checked items.

Diagram Not To Scale



Inspected By: Thomas K. Aguilar State License No. FR65641 Signature:

You are entitled to obtain copies of all reports and completion notices on this property reported to the Structural Pest Control Board during the preceding two years. To obtain copies contact: Structural Pest Control Board, 2005 Evergreen Street, Suite 1500, Sacramento, California, 95815-3831.
 NOTE: Questions or problems concerning the above report should be directed to the manager of the company. Unresolved questions or problems with services performed may be directed to the Structural Pest Control Board at (916) 561-8708, (800) 737-8188 or www.pestboard.ca.gov. 43M-41 (Rev. 04/2015)

SUPERIOR CARE TERMITE INC.

Page 2 of 9 inspection report

| | | | | |
|-------------------------------|--------------------------|----------|------------|-------|
| 3424 | Rockhold Ave | Rosemead | CA | 91770 |
| Address of Property Inspected | | City | State | ZIP |
| 04/16/2026 | 16161 | | | |
| Date of Inspection | Corresponding Report No. | | Escrow No. | |

WHAT IS A WOOD DESTROYING PEST & ORGANISM INSPECTION REPORT? READ THIS DOCUMENT. IT EXPLAINS THE SCOPE AND LIMITATIONS OF A STRUCTURAL PEST CONTROL INSPECTION AND A WOOD DESTROYING PEST & ORGANISM INSPECTION REPORT.

A Wood Destroying Pest & Organism Inspection Report contains findings as to the presence or absence of evidence of wood destroying pests and organisms in visible and accessible areas and contains recommendations for correcting any infestations or infections found. The contents of Wood Destroying Pest & Organism Inspection Reports are governed by the Structural Pest Control Act and regulations.

Some structures do not comply with building code requirements or may have structural, plumbing, electrical, mechanical, heating, air conditioning or other defects that do not pertain to wood destroying organisms. A Wood Destroying Pest & Organism Inspection Report does not contain information on such defects, if any, as they are not within the scope of the licenses of either this company, or it's employees.

The Structural Pest Control Act requires inspection of only those areas which are visible and accessible at the time of inspection. Some areas of the structure are not accessible to inspection, such as the interior of hollow walls, spaces between floors, areas concealed by carpeting, appliances, furniture or cabinets. Infestations or infections may be active in these areas without visible and accessible evidence. If you desire information about areas that were not inspected, a further inspection may be performed at an additional cost. Carpets, furniture or appliances are not moved and windows are not opened during a routine inspection.

The exterior Surface of the roof was not inspected. If you want the water tightness of the roof determined, you should contact a roofing contractor who is licensed by the Contractor's State License Board.

This company does not certify or guarantee against any leakage, such as (but not limited to) plumbing, appliances, walls, doors, windows, any type of seepage, roof or deck coverings. This company renders no guarantee, whatsoever, against any infection, infestation or any other adverse condition which may exist in such areas or may become visibly evident in such area after this date. Upon request, further inspection of these areas would be performed at an additional charge.

In the event damage or infestation described herein is later found to extend further than anticipated, our bid will not include such repairs. **OWNER SHOULD BE AWARE OF THIS CLOSED BID WHEN CONTRACTING WITH OTHERS OR UNDERTAKING THE WORK HIMSELF/HERSELF.**

If requested by the person ordering this report, a re-inspection of the structure will be performed. Such requests must be within four (4) months of the date of this inspection. Every re-inspection fee amount shall not exceed the original inspection fee.

Wall paper, stain, or interior painting are excluded from our contract. New wood exposed to the weather will be prime painted, only upon request at an additional expense.

This company will reinspect repairs done by others within four months of the original inspection. A charge, if any, can be no greater than the original inspection fee for each re-inspection. The re inspection must be done within ten (10) working days of request. The re inspection is a visual inspection and if inspection of concealed areas is desired, inspection of work in progress will be necessary. Any guarantees must be received from parties performing repairs.

NOTICE: Reports on this structure prepared by various registered companies should list the same findings (i.e. termite infestations, termite damage, fungus damage, etc.). However, recommendations to correct these findings may vary from company to company. You have a right to seek a second opinion from another company.

This Wood Destroying Pest & Organisms Report DOES NOT INCLUDE MOLD or any mold like conditions. No reference will be made to mold or mold-like conditions. Mold is not a Wood Destroying Organism and is outside the scope of this report as defined by the Structural Pest Control Act. If you wish your property to be inspected for mold or mold like conditions, please contact the appropriate mold professional.

NOTE: This property was not inspected for the presence or absence of health related molds or fungi. By California law we are neither qualified, authorized nor licensed to inspect for health related mold or fungi. If you desire information about the presence of absence of health related molds, you should contact an industrial hygienist.

SUPERIOR CARE TERMITE INC.

Page 3 of 9 inspection report

| | | | | |
|-------------------------------|--------------------------|----------|------------|-------|
| 3424 | Rockhold Ave | Rosemead | CA | 91770 |
| Address of Property Inspected | | City | State | ZIP |
| 04/16/2026 | 16161 | | | |
| Date of Inspection | Corresponding Report No. | | Escrow No. | |

NOTE: The following areas, when they exist, are considered inaccessible for inspection: The interiors of hollow walls and all enclosed spaces between a floor or porch deck and the ceiling or soffit below; areas between abutting/attached row houses, townhouses, condominiums and similar structures; portions of the attic concealed or made inaccessible by insulation; portions of the attic concealed by patio covers or other abutments; portions of the subarea concealed or made inaccessible by insulation or made inaccessible by insulation; porch enclosures; enclosed bay windows; areas beneath wood floors over concrete; areas concealed by built in cabinet work; areas concealed by floor covers, such as wall to wall carpeting, linoleum, ceramic tile, etc. and areas concealed by "built in appliances"

NOTE: The following areas, when they exist, are considered inaccessible for inspection: areas concealed by interior furnishings; areas concealed by floor coverings, such as area rugs, throw rugs, bath and kitchen mats. etc.; areas concealed by "free standing" appliances; areas concealed by storage; areas concealed by heavy vegetation; and areas where locks prevented access.

NOTE: A visual inspection will be performed on second story eaves only if eaves areas are deemed impractical to probe due to excessive height and/or type and condition of first story roof below.

NOTE: If Exterior areas of home appear to have been recently painted new paint may conceal, evidence of infestation, infection or damage. No guarantees nor warranties are either expressed or implied regarding conditions concealed by new paint.

NOTE: This wood destroying pests & organisms report does not include mold or any mold like conditions. No reference will be made to mold or mold like conditions. Mold is not a wood destroying organism and is outside the scope of this report as defined by the structural conditions, please contact the appropriate mold professional.

"NOTICE: The Charge for service that this company sub contract to another registered company may include the company's charges for arranging and administering such services that are in addition to the direct costs associated with paying the sub contractor. You may accept SUPERIOR CARE TERMITE bid or you may contract directly with another registered company licensed to perform the work. If you choose to contract directly with another registered company, SUPERIOR CARE TERMITE will not in any way be responsible for any act or omission in the performance of work that you directly contract with another to perform." SUPERIOR CARE TERMITE will not be responsible for any lodging or any roof damage that may occur during the fumigation process.

If that property needs to be fumigated in the future SUPERIOR CARE TERMITE will not be responsible for roof damage or housing during the course of fumigation.

A visual inspection was performed and the inspector did not PROBE into finished window or door frames, trim boards, etc., unless there was visible evidence of infestation and/or infection.

During the course of eave repair, possible damage may occur to the eave gutters(s) and/or tiles. SUPERIOR CARE TERMITE, and/or the fumigation company cannot and will not be held liable for any damage to gutter system and/or roof tiles.

Some landscape damage close to the structure may occur. At the time of repair SUPERIOR CARE and/or fumigation company can not be liable for such damages.

SUPERIOR CARE is not responsible for drywall/planter damage. These conditions are considered a maintenance item. Others to contract a proper tradesman to correct, if necessary.

If this report is used for escrow purposes then it is agreed that this inspection report and completion if any is part of the escrow transaction. However if you receive written or verbal instruction for any interested parties involved in this escrow (agents, Principals etc.) to not pay our invoice at the close of escrow, you are instructed by us not to use these documents to satisfy any conditions or terms of your escrow for the purposes of closing the escrow., furthermore you are instructed to return all of our documents and the most current mailing address for the property owner,.

SUPERIOR CARE TERMITE INC.

Page 4 of 9 inspection report

| | | | | |
|-------------------------------|--------------------------|----------|------------|-------|
| 3424 | Rockhold Ave | Rosemead | CA | 91770 |
| Address of Property Inspected | | City | State | ZIP |
| 04/16/2026 | 16161 | | | |
| Date of Inspection | Corresponding Report No. | | Escrow No. | |

SUPERIOR CARE TERMITE INC.

Page 5 of 9 inspection report

| | | | | |
|-------------------------------|--------------------------|----------|------------|-------|
| 3424 | Rockhold Ave | Rosemead | CA | 91770 |
| Address of Property Inspected | | City | State | ZIP |
| 04/16/2026 | 16161 | | | |
| Date of Inspection | Corresponding Report No. | | Escrow No. | |

THE FOLLOWING LANGUAGE SHALL APPEAR JUST PRIOR TO THE FIRST FINDING / RECOMMENDATION ON EACH SEPARATED REPORT: THIS IS A SEPARATED REPORT WHICH IS DEFINED AS A SECTION I / SECTION II CONDITIONS EVIDENT ON THE DATE OF THE INSPECTION.

SECTION I CONTAINS ITEMS WHERE THERE IS VISIBLE EVIDENCE OF ACTIVE INFESTATION, INFECTION OR CONDITIONS THAT HAVE RESULTED IN OR FROM INFESTATION OF INFECTION.

SECTION II ITEMS FARE CONDITIONS DEEMED LIKELY TO LEAD TO INFESTATION OR INFECTION BUT WHERE NO VISIBLE EVIDENCE OF SUCH WAS FOUND.

FURTHER INSPECTION ITEMS ARE DEFINED AS RECOMMENDATIONS TO INSPECT AREA(S) WHICH DURING THE ORIGINAL INSPECTION DID NOT ALLOW THE INSPECTOR ACCESS TO COMPLETE THE INSPECTION AND CANNOT BE DEFINED AS A SECTION I OR SECTION II.

THIS COMPANY WILL RE-INSPECT REPAIRS DONE BY OTHERS WITHIN (4) FOUR MONTHS OF THE ORIGINAL INSPECTION. A CHARGE, IF ANY CAN BE NOR GREATER THAN THE ORIGINAL INSPECTION FEE FOR EACH RE-INSPECTION. THE RE-INSPECTION MUST BE DONE WITHIN TEN (10) WORKING DAYS OF REQUEST. THE RE-INSPECTION IS A VISUAL INSPECTION AND IF INSPECTION OF CONCEALED AREAS IS DESIRED, INSPECTION OF WORK IN PROGRESS WILL BE NECESSARY. ANY GUARANTEES MUST BE RECEIVED FROM PARTIES PERFORMING REPAIRS AS SUPERIOR CARE TERMITE DOES NOT WARRANTY WORK COMPLETED BY OTHERS.

1. SUBTERRANEAN TERMITES:

1A - Section I

FINDING: We observe evidence of subterranean termites at/in the **subarea** in the approximate area as shown on the diagram.

RECOMMENDATION: Chemically treat the subarea for subterranean termites as stated in the above finding for control of subterranean termites. (NOTE: Superior Care Termite Inc. will not be liable for possible damage to pipes embedded in or below the concrete slab. We also assume no responsibility for damage for the floor coverings).

NOTE: REMOVE/MASK ACCESSIBLE SUBTERRANEAN TERMITE TUBING/EVIDENCE WHERE POSSIBLE.

****This is Section 1 Item ****

2. DRYWOOD TERMITES:

2A - Section I

FINDINGS: We observed evidence of drywood termites at/in **interior garage, subarea, interior of house floor trim** in the approximate area as shown on the diagram.

RECOMMENDATION: Fumigate the structure as a primary method of control using (VIKANE FUMIGANT) NATURAL GAS SERVICE MUST BE DISCONNECTED (TURNED OFF) AND RECONNECTED (TURNED ON) BY YOUR LOCAL GAS COMPANY. THESE ARRANGEMENTS MUS BE MADE BY OCCUPANT(S) OR YOUR AGENT PRIOR TO THE FUMIGATION. IF GAS SERVICE IS NOT OFF THE FUMIGATION WILL POSTPONE. FOLLOWING ARE THE PHONE NUMBERS FOR YOUR LOCAL GAS COMPANIES.

SOCAL GAS 800-427-2200 SDGE 800-411-7343

A SIGNED OCCUPANTS FUMIGATION NOTICE. ACCESS KEYS AND ELECTRICAL POWER MUST BE PROVIDED.

NOTE: IT IS COMMON FOR ADDITIONAL PELLETS TO SIFT DOWN OVER A PERIOD OF TIME DUE TO NORMAL HOUSEHOLD VIBRATIONS. THIS ESTIMATE IS TO COVER/REMOVE THE PELLETS ONE (1) TIME ONLY.

*** 2 Years Warranty***

SUPERIOR CARE TERMITE INC.

Page 6 of 9 inspection report

| | | | | |
|-------------------------------|--------------------------|------------|-------|-------|
| 3424 | Rockhold Ave | Rosemead | CA | 91770 |
| Address of Property Inspected | | City | State | ZIP |
| 04/16/2026 | 16161 | | | |
| Date of Inspection | Corresponding Report No. | Escrow No. | | |

*****SECTION I *****

2A - Secondary Recommendation

FINDING: We observed evidence of dry wood termites at/in **interior garage, subarea, interior of house floor trim** in the approximate area as shown on the diagram.

RECOMMENDATION: Chemically treat the area indicated on the report in the approximate area of the structure as a primary method of control. - LOCAL TREATMENT IS NOT INTENDED TO BE AN ENTIRE STRUCTURE TREATMENT METHOD. IF INFESTATION OF WOOD DESTROYING PESTS EXTENDS OR EXIST BEYOND THE AREA(S) OF LOCAL TREATMENT. 1 YEAR WARRANTY SECTION I

2B - Section I

FINDING: We observed evidence of dry wood termite damage at/in the **interior garage window frame, posts, floor trim** in the approximate area as shown on the diagram.

RECOMMENDATION: Re-Brace, Patch, Replace and or repair damaged wood members as required to eliminate the deficiency.

NOTE: Superior Care Termite will prime all replaced wood. If owner provides water based paint to match Superior Care Termite will apply one coat of matching paint in lieu of primer.

NOTE: If in the course of the repairs additional damage is found a supplemental report and cost will be made listing the additional findings and recommendations.

SECTION I

2C - Section I

FINDINGS: We observed evidence of drywood termites at/in **exterior rafter tail, fascia** in the approximate area as shown on the diagram.

RECOMMENDATION: Fumigate the structure as a primary method of control using (VIKANE FUMIGANT) NATURAL GAS SERVICE MUST BE DISCONNECTED (TURNED OFF) AND RECONNECTED (TURNED ON) BY YOUR LOCAL GAS COMPANY. THESE ARRANGEMENTS MUS BE MADE BY OCCUPANT(S) OR YOUR AGENT PRIOR TO THE FUMIGATION. IF GAS SERVICE IS NOT OFF THE FUMIGATION WILL POSTPONE. FOLLOWING ARE THE PHONE NUMBERS FOR YOUR LOCAL GAS COMPANIES.

SOCAL GAS 800-427-2200 SDGE 800-411-7343

A SIGNED OCCUPANTS FUMIGATION NOTICE. ACCESS KEYS AND ELECTRICAL POWER MUST BE PROVIDED.

NOTE: IT IS COMMON FOR ADDITIONAL PELLETS TO SIFT DOWN OVER A PERIOD OF TIME DUE TO NORMAL HOUSEHOLD VIBRATIONS. THIS ESTIMATE IS TO COVER/REMOVE THE PELLETS ONE (1) TIME ONLY.

*** 2 Years Warranty***

*****SECTION I *****

2C - Secondary Recommendation

FINDING: We observed evidence of dry wood termites at/in **exterior rafter tail, fascia** in the approximate area as shown on the diagram.

RECOMMENDATION: Chemically treat the area indicated on the report in the approximate area of the structure as a primary method of control. - LOCAL TREATMENT IS NOT INTENDED TO BE AN ENTIRE STRUCTURE TREATMENT METHOD. IF INFESTATION OF WOOD DESTROYING PESTS EXTENDS OR EXIST BEYOND THE AREA(S) OF LOCAL TREATMENT. 1 YEAR WARRANTY SECTION I

2D - Section I

FINDING: We observed evidence of dry wood termite damage at/in the **exterior rafter tail, fascia** in the approximate area as shown on the diagram.

RECOMMENDATION: Re-Brace, Patch, Replace and or repair damaged wood members as required to eliminate the deficiency.

NOTE: Superior Care Termite will prime all replaced wood. If owner provides water based paint to match Superior Care Termite will apply one coat of matching paint in lieu of primer.

SUPERIOR CARE TERMITE INC.

Page 7 of 9 inspection report

| | | | | |
|-------------------------------|--------------------------|----------|------------|-------|
| 3424 | Rockhold Ave | Rosemead | CA | 91770 |
| Address of Property Inspected | | City | State | ZIP |
| 04/16/2026 | 16161 | | | |
| Date of Inspection | Corresponding Report No. | | Escrow No. | |

NOTE: If in the course of the repairs additional damage is found a supplemental report and cost will be made listing the additional findings and recommendations.

SECTION I

3. FUNGUS / DRYROT:

3A - Section I

FINDING: We observed evidence of dry rot at/in the **fascia boards** in the approximate area as shown on the diagram.

RECOMMENDATION: Replace, Re-brace, Patch and/or repair the damaged wood member to eliminate this deficiency.

NOTE: Superior Care Termite will apply one coat of primer to replaced wood. If owner provides water base paint to match Superior Care Termite will apply one coat in lieu of primer.

NOTE: If in the course of repairs additional damage is found a supplemental report and Cost will be issued listing the additional findings and recommendation.

SECTION I

NOTES:

Note A

PLEASE NOT SHED STORAGE BEHIND GARAGE NOT INCLUDED IN REPORT, PER CLIENT REQUEST. SHED WILL BE DEMOLISHED/REMOVED

Thank you for selecting SUPERIOR CARE TERMITE to perform a structural pest control inspection on your property. Should you have any questions regarding this report, please call us directly by the contact information provided on the first page of the inspection report.

Our inspectors have determined that your property will benefit from a safe application of chemicals commonly used for structural pest control. In accordance with the laws and regulations of the State of California, we are required to provide you and your occupants with the following information prior to any application of chemicals to such property. Please take a few moments to read and become familiar with the content.

State law requires that you be given the following information:

Please take a few moments to read and become familiar with the content. State law requires that you be given the following information:

CAUTION - PESTICIDES ARE TOXIC CHEMICALS. Structural pest control companies are registered and regulated by the Structural Pest Control Board, and apply pesticides which are registered and approved for use by the California Department of PESTICIDE REGULATION and the United States Environmental Protection Agency. Registration is granted when the state finds that based on scientific evidence, there are no appreciable risks weighted by the benefits. The degree of risk depends on the degree of exposure, so exposure should be minimized.

If within 24 hours following application, you experience symptoms similar to common seasonal illness comparable to the flu, contact your physician or poison control center and your pest control operator immediately.

For further information, contact any of the following agencies in your area:

Superior Care Termite Inc. 562-607-9420

Emergency 911

FOR HEALTH QUESTIONS
COUNTY HEALTH DEPARTMENT

SUPERIOR CARE TERMITE INC.

Page 8 of 9 inspection report

| | | | | |
|-------------------------------|--------------------------|----------|-------|------------|
| 3424 | Rockhold Ave | Rosemead | CA | 91770 |
| Address of Property Inspected | | City | State | ZIP |
| 04/16/2026 | 16161 | | | |
| Date of Inspection | Corresponding Report No. | | | Escrow No. |

ORANGE COUNTY 714-834-7700
LOS ANGELES 213-240-8203
SAN BERNARDINO 951-358-5172

FOR APPLICATION INFORMATION
COUNTY AGRICULTURAL COMMISSIONS
ORANGE 714-447-7100
LOS ANGELES 626-575-5466
SAN BERNARDINO 909-387-2115
RIVERSIDE 951-955-3000

COUNTY POISON CONTROL CENTER
800-582-3387
800-876-4766

REGULATORY INFORMATION
STRUCTURAL PEST CONTROL BOARD 800-737-8188
2005 EVERGREEN STREET SUITE 1500
SACRAMENTO, CA 95815

""By authorizing the outlying recommendations herein, it is to be understood that there are no chemical sensitive occupants.

If we have recommended the treatment of subterranean we will use.

TERMIDOR:

ACTIVE INGREDIENTS...Fipronil:5-amino-1(2,6dichloro-4
(trifluoromethyl)pheny)-4-((1,R,S)-(trifluoromethyl)-1-H-pyrazole-3-
Carbonitrile.....9.1%
INERT INGREDIENTS:.....90.9%

If we have recommended the treatment of subterranean we will use.

ALTRISSET.

ACTIVE INGREDIENTS Chlorantraniliprole*
1H-Pyrazole-5-carboxamide, 3-bromo-N- [4-chloro-2-methyl-6-[(methylamino)carbonyl]phenyl]-1- (3-chloro-2-pyridinyl)-:
. 18.4%
Other Ingredients..... 81.6%

If we have recommended the treatment of drywood termites we will use:

BORA-CARE

ACTIVE INGREDIENTS:

Disodium Octaborate Tetrahydrate(CAS No. 12280-03-4)...40%
Other Ingredients.....60%

If we have recommended the use of fungicide we will use;

TIM-BOR: ACTIVE INGREDIENTS....DISODIUM OCTABORATE TETRAHYDRATE....98%

If we have recommended the treatment of subterranean we will use.

DRAGNET: ACTIVE INGREDIENTS.....PERMETHRIN.....36.8%
INERT INGREDIENTS.....63.2%

If we have recommended the treatment of drywood termites we will use.

CY-KICK: ACTIVE INGREDIENTS.....Cyfluthrin)0.1%
OTHER INGREDIENTS.....Petroleum distillates.... 99.9%

If we have recommended the treatment of fumigation we will use.

SUPERIOR CARE TERMITE INC.

Page 9 of 9 inspection report

| | | | | |
|-------------------------------|--------------------------|----------|------------|-------|
| 3424 | Rockhold Ave | Rosemead | CA | 91770 |
| Address of Property Inspected | | City | State | ZIP |
| 04/16/2026 | 16161 | | | |
| Date of Inspection | Corresponding Report No. | | Escrow No. | |

VIKANE ACTIVE INGREDIENTS: (SULFURYL FLOURIDE)..... 99.8%
INERT INGREDIENTS 0.2%

CHLORIPICRIN WARNING AGENT
ACTIVE INGREDIENTS.....CHLORIPICRIN..... 99.0%
INERT INGREDIENTS.....1.0%

| | |
|-------------------------------|--|
| Poison Control Center | (800) 222-1222 |
| Agricultural Department | (626) 575-5471 |
| Health Department | (213) 989-7140 |
| Structural Pest Control Board | (916) 561-8700 |
| | 2005 Evergreen Street, Ste. 1500. Sacramento, CA 95815 |
| Superior Care Termite Inc | (562) 294-0616 |



Superior Care Termite Inc.

13516 Lakewood Blvd #D
Bellflower CA 90706
(562) 607-9420 (562) 302-7968
contact@superiorcartermite.com
Fax (562) 634-6862

WORK AUTHORIZATION

Report #: 16161

No work will be performed until a signed copy of this agreement has been received.

Address of Property : 3424 Rockhold Ave
City: Rosemead
State/ZIP: CA 91770

The inspection report of the company dated, 04/16/2026 is incorporated herein by reference as though fully set forth.
The company is authorized to proceed with the work outlined in the items circled below from the Termite Inspection Report for the property inspected, for a total sum of \$ _____.
This total amount is due and payable within **30 days** from completion repair work and/or chemical application.

THE COMPANY AGREES

To guarantee all repair completed by this company for one year from date of completion except for caulking, grouting, or plumbing, which is guaranteed for a period of **ninety (90) days**. We assume no responsibility for work performed by others, to be bound to perform this work for the price quoted in our cost breakdown for a period not to exceed 30 days, to use reasonable care in the performance of our work but to assume no responsibility for damage to any hidden pipes, wiring, or other facilities or to any shrubs, plants, or roof.

THE OWNER OR OWNER'S AGENT AGREES

To pay for services rendered in any additional services requested upon completion of work to pay a service charge of one and one-half percent (1 1/2%) interest per month, or portion of any month, annual interest rate of eighteen percent (18%) on accounts exceeding the ten (10) day full payment schedule. The Owner grants to The Company a security interest in the property to secure payment sum for work and inspection fee completed. In case of non-payment by The owner, reasonable attorney fees and costs of collection shall be paid by owner, whether suit be filed or not.

ALL PARTIES AGREE

If any additional work is deemed necessary by the local building inspector, said work will not be performed without additional authorization from owner or owner's agent. This contract price does not include the charge of any Inspection Report fees. Circle the items you wish performed by The Company, below and enter total amount above:

DRILLING & UTILITY DISCLAIMER

The property owner must disclose the location of all plumbing, gas lines, electrical conduits, irrigation systems, or other concealed utilities prior to any drilling or treatment. The company is not liable for damage to any undisclosed or inaccurately disclosed utilities.

Concrete drilling may cause cosmetic damage (including chipping, cracking, or spalling) and may strike concealed plumbing, gas lines, or other utilities beneath or within the slab. The company shall not be responsible for cosmetic damage to concrete or for damage to hidden utilities. The property owner accepts all associated risks and responsibility for repairs.

NOTICE TO OWNER

Under the California Mechanics Lien Law, any structural pest control company which contracts to do work for you, any contractor, subcontractor, laborer, supplier or other person who helps to improve your property, but is not paid for his or her work or supplies, has a right to enforce a claim against your property. This means that after a court hearing, your property could be sold by a court officer and the proceeds of the sale used to satisfy the indebtedness. This can happen even if you have paid your structural pest control company in full if the subcontractor, laborers or suppliers remain unpaid.

To preserve their right to file a claim or lien against your property, certain claimants such as subcontractors or material suppliers are required to provide you with a document entitled "Preliminary Notice." Prime contractors and laborers for wages do not have to provide this notice. A Preliminary Notice is not a lien against your property. Its purpose is to notify you of persons who may have a right to file a lien against your property if they are not paid.

ITEMS

| Prefix | Section I | Section II | Further Inspection | Other |
|--------------------------|-----------|------------|--------------------|-------|
| 1A | 750.00 | 0.00 | 0.00 | 0.00 |
| 2A (Primary) | 2,100.00 | 0.00 | 0.00 | 0.00 |
| 2A (Secondary) | 1,225.00 | 0.00 | 0.00 | 0.00 |
| 2B | 4,375.00 | 0.00 | 0.00 | 0.00 |
| 2C (Primary) | See 2A | 0.00 | 0.00 | 0.00 |
| 2C (Secondary) | See 2A | 0.00 | 0.00 | 0.00 |
| 2D | See 2B | 0.00 | 0.00 | 0.00 |
| 3A | See 2B | 0.00 | 0.00 | 0.00 |
| Section Subtotals | | | | |
| Using Primary Rec | 7,225.00 | 0.00 | 0.00 | 0.00 |

Property Owner: _____ Date: _____ Inspected By: _____ Date: _____
Owner's Agent: _____ Date: _____



Superior Care Termite Inc.

13516 Lakewood Blvd #D
Bellflower CA 90706
(562) 607-9420 (562) 302-7968
contact@superiorcaretermite.com
Fax (562) 634-6862

WORK AUTHORIZATION

Report #: 16161

| Prefix | Section I | Section II | Further Inspection | Other |
|---------------------|------------------|-------------------|---------------------------|--------------|
| Using Secondary Rec | 6,350.00 | 0.00 | 0.00 | 0.00 |

PLEASE INITIAL YOUR SELECTION BELOW

Primary Total: \$7,225.00 _____

OR

Secondary Total: \$6,350.00 _____

Property Owner: Date: Inspected By: Date:

Owner's Agent: Date: