

# PRELIMINARY REPORT

---



7530 N Glenoaks Blvd  
Burbank, CA 91504  
Phone No.: 800-747-7777

Prelim Number:

**LT1257807395**

---

Issuing Policies of **Commonwealth Land Title Insurance Company**

---

Order No.: LT1257807395

Nick Antonian, CPA, MBA  
3534 Stone Canyon Ave  
Sherman Oaks, CA 91403  
Attn: Nick Antonian  
Email: nantonian@aol.com

Title Officer: Michael Chediak & Ed Amaya Title Unit 78  
Phone No.: 818-252-3778  
Fax No.:  
Email: TU78@Ltic.com

**Ref No.:**

Property: 5452 W 122Nd St, (Hawthorne Area), Los Angeles, CA

---

In response to the application for a policy of title insurance referenced herein, **Lawyers Title Company** hereby reports that it is prepared to issue, or cause to be issued, as of the date hereof, a policy or policies of title insurance describing the land and the estate or interest therein hereinafter set forth, insuring against loss which may be sustained by reason of a defect, lien or encumbrance not shown or referred to as an exception herein or not excluded from coverage pursuant to the printed Schedules, Exclusions from Coverage, and Conditions of said policy forms.

With respect to any contemplated owner's policy, the printed Exceptions and Exclusions from the coverage and Limitations on Covered Risks of said policy or policies are set forth in Attachment One. The policy to be issued may contain an arbitration clause. When the Amount of Insurance is less than that set forth in the arbitration clause, all arbitrable matters shall be arbitrated at the option of either the Company or the Insured as the exclusive remedy of the parties. Limitations on Covered Risks applicable to the CLTA/ALTA Homeowner's Policy of Title Insurance, which establish a Deductible Amount and a Maximum Dollar Limit of Liability for certain coverages are also set forth in Attachment One. Copies of the policy forms should be read. They are available from the office which issued this report.

**Please read the exceptions shown or referred to herein and the exceptions and exclusions set forth in Attachment One of this report carefully. The exceptions and exclusions are meant to provide you with notice of matters which are not covered under the terms of the title insurance policy and should be carefully considered.**

**It is important to note that this preliminary report is not a written representation as to the condition of title and may not list all liens, defects, and encumbrances affecting title to the land.**

This report (and any supplements or amendments hereto) is issued solely for the purpose of facilitating the issuance of a policy of title insurance and no liability is assumed hereby. If it is desired that liability be assumed prior to the issuance of a policy of title insurance, a binder or commitment should be requested.

Countersigned By:

A handwritten signature in cursive script that reads 'Michele Weill'.

---

Authorized Officer or Agent  
Michele Weill, County Manager

**Effective date: October 22, 2025 at 07:30 AM**

The form of Policy or Policies of Title Insurance contemplated by this Report is:

ALTA Homeowner's Policy of Title Insurance 2021

ALTA Loan Policy 2021

1. The estate or interest in the Land hereinafter described or referred to covered by this Report is:

**Fee**

2. Title to said estate or interest at the date hereof is vested in:

**Karen Melissa Cohen-Hayes, Surviving Trustee of The John D. Hayes Family Trust Dated August 13, 2012,  
subject to Exception No. 10 and Requirement No. 2.**

3. The Land referred to in this Report is described as follows:

SEE EXHIBIT "A" ATTACHED HERETO AND MADE A PART HEREOF

**EXHIBIT A**  
Legal Description

**For APN/Parcel ID(s): 4143-003-011**

---

THE LAND REFERRED TO HEREIN BELOW IS SITUATED IN THE UNINCORPORATED AREA IN COUNTY OF LOS ANGELES, STATE OF CALIFORNIA AND IS DESCRIBED AS FOLLOWS:

LOT 92 OF TRACT NO. 15950, IN THE COUNTY OF LOS ANGELES, STATE OF CALIFORNIA, AS PER MAP RECORDED IN BOOK 355, PAGE(S) 29 TO 34 INCLUSIVE OF MAPS, IN THE OFFICE OF THE COUNTY RECORDER OF SAID COUNTY.

**EXCEPTIONS**

At the date hereof, items to be considered and exceptions to coverage in addition to the printed exceptions and exclusions in said policy form would be as follows:

1. Property taxes, which are a lien not yet due and payable, including any assessments collected with taxes to be levied for the fiscal year 2026-2027.
2. Property taxes, including any personal property taxes and any assessments collected with taxes, are as follows:  

Tax Identification No.:	4143-003-011
Fiscal Year:	2025-2026
1st Installment:	\$2,186.37 paid.
2nd Installment:	\$2,186.36, UNPAID (Delinquent after April 10)
Penalty and Cost:	\$228.63
Homeowners Exemption:	\$0.00
Code Area:	09878
3. The lien of supplemental or escaped assessments of property taxes, if any, made pursuant to the provisions of Chapter 3.5 (commencing with Section 75) or Part 2, Chapter 3, Articles 3 and 4, respectively, of the Revenue and Taxation Code of the State of California as a result of the transfer of title to the vestee named in Schedule A or as a result of changes in ownership or new construction occurring prior to Date of Policy.
4. Water rights, claims or title to water, whether or not disclosed by the public records.
5. An easement for the purpose shown below and rights incidental thereto as set forth in a document  

Purpose: Public utilities  
Recorded: In Book 31630 Page 96, Official Records  
Affects: The rear 5 feet.
6. Covenants, conditions and restrictions (but omitting therefrom any covenant or restriction based on race, color, religion, sex, handicap, familial status or national origin, if any, unless and only to the extent that said covenant (A) is exempt under chapter 42, Section 3607 of the United States Code or (B) relates to handicap but does not discriminate against handicapped persons) as set forth in the document referred to in the numbered item last above shown.  

Said covenants, conditions and restrictions provide that a violation thereof shall not defeat the lien of any Mortgage or Deed of Trust made in good faith and for value.
7. An easement for the purpose shown below and rights incidental thereto as set forth in a document  

Purpose: Public utilities  
Recorded: February 3, 1950 as Instrument No. 2857-S of Torrens  
Affects: The Southerly 5 feet.
8. An easement for the purpose shown below and rights incidental thereto as set forth in a document  

Purpose: Public utilities  
Recorded: February 3, 1950 as Instrument No. 2060-S of Torrens  
Affects: The Southerly 5 feet.
9. **Please be advised that our search did not disclose any open Deeds of Trust of record. If you should have knowledge of any outstanding obligation, please contact the Title Department immediately for further review prior to closing.**

10. The effect of a Deed as set forth below:

Entitled: Affidavit of Death of Trustee  
Recording Date: September 3, 2025  
Recording No.: 2025-600772, Official Records

11. Any invalidity or defect in the title of the vestees in the event that the trust referred to herein is invalid or fails to grant sufficient powers to the trustee(s) or in the event there is a lack of compliance with the terms and provisions of the trust instrument.

If title is to be insured in the trustee(s) of a trust, (or if their act is to be insured), this Company will require a Trust Certification pursuant to California Probate Code Section 18100.5.

The Company reserves the right to add additional items or make further requirements after review of the requested documentation.

**END OF EXCEPTIONS**

**PLEASE REFER TO THE "INFORMATIONAL NOTES" AND "REQUIREMENTS" SECTIONS WHICH FOLLOW FOR INFORMATION NECESSARY TO COMPLETE THIS TRANSACTION.**

**REQUIREMENTS**

1. In order to complete this report, the Company requires a Statement of Information to be completed by the following party(ies),

Party(ies): All Parties

The Company reserves the right to add additional items or make further requirements after review of the requested Statement of Information.

NOTE: The Statement of Information is necessary to complete the search and examination of title under this order. Any title search includes matters that are indexed by name only, and having a completed Statement of Information assists the Company in the elimination of certain matters which appear to involve the parties but in fact affect another party with the same or similar name. Be assured that the Statement of Information is essential and will be kept strictly confidential to this file.

2. The Company will require either (a) a complete copy of the trust agreement and any amendments thereto certified by the trustee(s) to be a true and complete copy with respect to the hereinafter named trust, or (b) a Certification, pursuant to California Probate Code Section 18100.5, executed by all of the current trustee(s) of the hereinafter named trust, a form of which is attached.

Name of Trust: **The John D. Hayes Family Trust Dated August 13, 2012**

**END OF REQUIREMENTS**

**INFORMATIONAL NOTES**

1. The information on the attached plat is provided for your convenience as a guide to the general location of the subject property. The accuracy of this plat is not guaranteed, nor is it a part of any policy, report or guarantee to which it may be attached.
2. California insurance code section 12413.1 regulates the disbursement of escrow and sub-escrow funds by title companies. The law requires that funds be deposited in the title company escrow account and available for withdrawal prior to disbursement. Funds deposited with the company by wire transfer may be disbursed upon receipt. Funds deposited with the company via cashier's check or teller's check drawn on a California based bank may be disbursed on the next business day after the day of deposit. If funds are deposited with the company by other methods, recording and/or disbursement may be delayed. All escrow and sub-escrow funds received by the company will be deposited with other escrow funds in one or more non-interest bearing escrow accounts of the company in a financial institution selected by the company. The company may receive certain direct or indirect benefits from the financial institution by reason of the deposit of such funds or the maintenance of such accounts with such financial institution, and the company shall have no obligation to account to the depositing party in any manner for the value of, or to pay to such party, any benefit received by the company. Those benefits may include, without limitation, credits allowed by such financial institution on loans to the company or its parent company and earnings on investments made with the proceeds of such loans, accounting, reporting and other services and products of such financial institution. Such benefits shall be deemed additional compensation of the company for its services in connection with the escrow or sub-escrow.

**For wiring Instructions please contact your Title Officer or Title Company Escrow officer.**

3. Lawyers Title is a division of Commonwealth Land Title Insurance Company. The insurer in policies of title insurance, when issued in this transaction, will be Commonwealth Land Title Insurance Company.
4. Notice: Please be aware that due to the conflict between federal and state laws concerning the cultivation, distribution, manufacture or sale of marijuana, the Company is not able to close or insure any transaction involving Land that is associated with these activities.
5. Pursuant to Government Code Section 27388.1, as amended and effective as of 1-1-2018, a Documentary Transfer Tax (DTT) Affidavit may be required to be completed and submitted with each document when DTT is being paid or when an exemption is being claimed from paying the tax. If a governmental agency is a party to the document, the form will not be required. DTT Affidavits may be available at a Tax Assessor-County Clerk-Recorder.

6. Note: None of the items shown in this report will cause the Company to decline to attach CLTA Endorsement Form 100 to an ALTA Loan Policy, when issued.

Note: The following information will be included in the CLTA Form 116 or ALTA Form 22-06 Endorsement to be issued pursuant to this order:

There is located on said Land: a single family residence  
Known as: 5452 W 122Nd St, (Hawthorne Area), Los Angeles, CA

Note: The Company requires current beneficiary demands prior to closing. If the demand is expired and a current demand cannot be obtained, our requirements will be as follows:

- a) If the Company accepts a verbal update on the demand, we may hold an amount equal to one monthly mortgage payment. This hold will be in addition to the verbal hold the lender may have stipulated.
- b) If the Company cannot obtain a verbal update on the demand, we will either pay off the expired demand or wait for the amended demand, at our discretion.
- c) All payoff figures are verified at closing. If the customer's last payment was made within 15 days of closing, our Payoff Department may hold one month's payment to insure the check has cleared the bank (unless a copy of the cancelled check is provided, in which case there will be no hold).

Note: The only conveyance(s) affecting said Land, which recorded within 24 months of the date of this report, are as follows:

Entitled: Affidavit of Death of Trustee  
Recording Date: September 3, 2025  
Recording No.: 2025-600772, Official Records

7. The Company and its policy issuing agents are required by Federal law to collect additional information about certain transactions in specified geographic areas in accordance with the Bank Secrecy Act. If this transaction is required to be reported under a Geographic Targeting Order issued by FinCEN, the Company or its policy issuing agent must be supplied with a completed ALTA Information Collection Form ("ICF") prior to closing the transaction contemplated herein.

To protect the private information contained in the attached form and photo ID, please return via a secured method.

8. Any matters arising with regard to assessments of documentary transfer tax related to the measures below.

NOTICE: Certain cities in Los Angeles County impose a documentary transfer tax that is in addition to the Los Angeles County documentary transfer tax of \$.55 per \$500 (\$1.10 per \$1,000) based upon the purchase price or value of the property transferred. Additional transfer tax is imposed by the following cities in Los Angeles County:

Culver City  
Los Angeles  
Pomona  
Redondo Beach  
Santa Monica

For details about these taxes, please contact your title officer or escrow officer. Please be advised that, in the City of Santa Monica, effective March 1, 2023, for transfers of property with a sale price or value of \$8,000,000 or more, there will be a new, additional transfer tax of \$5.60 per \$100 (\$56.00 per \$1,000). In the City of Los Angeles, effective April 1, 2023, for transfers of property with a sale price or value of \$5,000,000 up to \$10,000,000, there will be a new, additional transfer tax of 4% of the entire sale price or value; for transfers with a sale price or value of \$10,000,000 or more, there will be a new, additional transfer tax of 5.5% of the entire sale price or value.

Effective for transactions on and after July 1, 2024, the new thresholds for ULA will be \$5,150,000.00 (up from \$5,000,001.00) and \$10,300,000.00 (up from \$10,000,001.00). Transactions above \$5,150,000.00 but under \$10,300,000.00 will be assessed at a 4% tax and transactions \$10,300,000.00 and up will be assessed a 5.5% tax.

**END OF INFORMATIONAL NOTES**

## **FIDELITY NATIONAL FINANCIAL CALIFORNIA PRIVACY NOTICE**

Fidelity National Financial, Inc. and its majority-owned subsidiary companies (collectively, "FNF," "our," or "we") respect and are committed to protecting your privacy. This California Privacy Notice explains how we collect, use, and disclose Personal Information, when and to whom we disclose such information, and the rights you, as a California resident ("Consumer"), have regarding your Personal Information ("California Privacy Rights"). "Personal Information" means information that identifies, relates to, describes, and is reasonably capable of being associated with, or could reasonably be linked, directly or indirectly, with a particular consumer or household. If FNF has collected, used, or disclosed your Personal Information in relation to a job application or employment, independent contractor, officer, owner, or director relationship with FNF, FNF's practices are discussed in our Notice at Collection for Prospective Employees, available at [Prospective California Employees](#).

Some subsidiaries maintain separate California Privacy Notices or privacy statements. If a subsidiary has a separate California Privacy Notice, it will be available on the subsidiary's website, and this California Privacy Notice does not apply.

### **Collection of categories of Personal Information:**

In the preceding twelve (12) months FNF has collected, and will continue to collect, the following categories of Personal Information from you:

- Identifiers such as name, address, telephone number, IP address, email address, account name, social security number, driver's license number, state identification card, passport number, financial information, date of birth, or other similar identifiers;
- Characteristics of protected classifications under California or Federal law;
- Commercial information, including records of personal property, products or services purchased, or other purchasing or consuming histories;
- Internet or other electronic network activity information including, but not limited to browsing history on FNF websites and information regarding a Consumer's interaction with an FNF website;
- Geolocation data;
- Unique biometric data used to authenticate a specific individual such as a fingerprint, retina, or iris image;
- Professional or employment information;
- Education Information.

### **This Personal Information is collected from the following sources:**

- Information we receive from you on applications or other forms;
- Information about your transactions with FNF, our affiliates, or others;
- Information we receive from consumer reporting agencies and/or governmental entities, either directly from these entities, or from internet service providers, data analytics providers, and social networks;
- Information from the use of our websites and mobile applications;
- Information we receive directly from you related to doing business with us.

### **This Personal Information is collected for the following business purposes:**

- To provide products and services to you or in connection with a transaction involving you;
- To perform a contract between FNF and the Consumer;
- To improve our products and services;
- To comply with legal obligations;
- To detect and protect against fraudulent or illegal activity;

- To communicate with you about FNF or our affiliates;
- To maintain an account with FNF or our affiliates;
- To maintain the security of our systems, tools, accounts, and applications;
- To verify and authenticate identities and credentials;
- To provide, support, personalize, and develop our websites, products, and services;
- To directly market our products to consumers;
- As described to you when collecting your Personal Information or as otherwise set forth in the California Consumer Privacy Act.

**Disclosures of Personal Information for a business purpose:**

In the preceding twelve (12) months FNF has disclosed, and will continue to disclose, the categories of Personal Information listed above for a business purpose. We may disclose Personal Information for a business purpose to the following categories of third parties:

- FNF affiliates and subsidiaries;
- Non-affiliated third parties, with your prior consent;
- Businesses in connection with the sale or other disposition of all or part of the FNF business and/or assets;
- Service Providers and non-affiliated third parties such as data analytics providers;
- Law enforcement or authorities in connection with an investigation, or in response to a subpoena or court order.

**Sale of Personal Information:**

In the preceding twelve (12) months, FNF has not sold or shared Personal Information. FNF does not sell or share Personal Information.

**Retention Periods:**

Due to the breadth and variety of data collected by FNF, it is not possible for us to provide you with a comprehensive list of timeframes during which we retain each category of Personal Information. FNF retains categories of information as reasonably necessary to satisfy the purpose for which we collect the information. This time period varies depending on the purpose for which we collected the information, the nature and frequency of our interactions and relationship with you, whether we have a legal basis to continue retaining the information, industry practices, the value and sensitivity of the information, and state and federal recordkeeping requirements.

**Personal Information of minors:**

FNF does not knowingly collect the Personal Information of minors. FNF does not sell or share the information of consumers under sixteen (16) years of age.

**Sensitive Personal Information:**

FNF does not use or disclose sensitive Personal Information for any purposes other than those specified in the California Consumer Privacy Act.

**Right to know:**

Consumers have a right to know about Personal Information collected, used, disclosed, shared, or sold, including the categories of such Personal Information, as well as the purpose for such collection, use, disclosure, sharing, or selling, categories of third parties to whom Personal Information is disclosed, shared or sold, and the specific pieces of Personal Information collected about the consumer. Consumers have the right to request FNF disclose what Personal Information it collected, used, and disclosed in the past twelve (12) months.

**Right to request deletion:**

Consumers have a right to request the deletion of their Personal Information, subject to certain exceptions.

**Right to Correct:**

Consumers have the right to correct inaccurate Personal Information.

**Right to non-discrimination:**

Consumers have a right not to be discriminated against because of exercising their consumer privacy rights. We will not discriminate against Consumers for exercising any of their California Privacy Rights.

**Privacy Requests:**

**To exercise any of your California Privacy Rights, or if acting as an authorized agent on behalf of another individual, please visit [California Privacy Request \(FNF.com/California-privacy\)](https://www.fidelity.com/california-privacy), call us Toll Free at 888-413-1748, or write to the address at the end of this notice.**

Upon making a California Privacy Request, FNF will verify the consumer's identity by requiring an account, loan, escrow number, or other identifying information from the consumer.

The above-rights are subject to any applicable rights and obligations including both Federal and California exemptions rendering FNF, or Personal Information collected by FNF, exempt from certain CCPA requirements.

A Consumer may use an Authorized Agent to submit any CCPA request. Authorized agents' requests will be processed like any other CCPA request, but FNF will also require the Consumer provide the agent written permission to make the request and verify his or her identity with FNF.

**FNF website services for mortgage loans:**

Certain FNF companies provide services to mortgage loan servicers, including hosting websites that collect customer information on behalf of mortgage loan servicers (the "Service Websites"). The Service Websites may contain links to both this Privacy Notice and the mortgage loan servicer or lender's privacy notice. The sections of this Privacy Notice describing the categories, sources, and uses of your Personal Information do not apply to the Service Websites. The mortgage loan servicer or lender's privacy notice governs use, disclosure, and access to your Information. FNF does not share Information collected through the Service Websites, except (1) as required or authorized by contract with the mortgage loan servicer or lender, or (2) as required by law or in the good-faith belief that such disclosure is necessary to comply with a legal process or applicable law, to enforce this Privacy Notice, or to protect the rights, property, or safety of FNF or the public.

**California Privacy Notice - Effective Date:**

This California Privacy Notice was last updated on January 1, 2025.

**Contact for more information:**

For questions or concerns about FNF's California Privacy Notice and privacy practices, or to exercise any of your California Privacy Rights, please visit [California Privacy \(FNF.com/California-privacy\)](https://www.fidelity.com/california-privacy), call Toll Free 888-413-1748, or contact us by mail at the below address.

Fidelity National Financial, Inc.  
601 Riverside Avenue  
Jacksonville, Florida 32204  
Attn: Chief Privacy Officer

## Notice of Available Discounts

Pursuant to Section 2355.3 in Title 10 of the California Code of Regulations Fidelity National Financial, Inc. and its subsidiaries ("FNF") must deliver a notice of each discount available under our current rate filing along with the delivery of escrow instructions, a preliminary report or commitment. Please be aware that the provision of this notice does not constitute a waiver of the consumer's right to be charged the filed rate. As such, your transaction may not qualify for the below discounts.

You are encouraged to discuss the applicability of one or more of the below discounts with a Company representative. These discounts are generally described below; consult the rate manual for a full description of the terms, conditions and requirements for such discount. These discounts only apply to transactions involving services rendered by the FNF Family of Companies. This notice only applies to transactions involving property improved with a one-to-four family residential dwelling.

Not all discounts are offered by every FNF Company. The discount will only be applicable to the FNF Company as indicated by the named discount.

### **FNF Underwritten Title Companies**

CTC - Chicago Title Company  
CLTC - Commonwealth Land Title Company  
FNTC - Fidelity National Title Company  
FNTCCA - Fidelity National Title Company of California  
TICOR - Ticor Title Company of California  
LTC - Lawyer's Title Company  
SLTC - ServiceLink Title Company

### **Underwritten by FNF Underwriters**

CTIC - Chicago Title Insurance Company  
CLTIC - Commonwealth Land Title Insurance Co.  
FNTIC - Fidelity National Title Insurance Co.  
NTINY - National Title Insurance of New York

### **Available Discounts**

#### **CHURCHES OR CHARITABLE NON-PROFIT ORGANIZATIONS (CTIC, CLTIC, FNTIC, NTINY)**

On properties used as a church or for charitable purposes within the scope of the normal activities of such entities, provided said charge is normally the church's obligation the charge for an owner's policy shall be fifty percent (50%) to seventy percent (70%) of the appropriate title insurance rate, depending on the type of coverage selected. The charge for a lender's policy shall be forty percent (40%) to fifty percent (50%) of the appropriate title insurance rate, depending on the type of coverage selected.

#### **DISASTER AREA TRANSACTIONS (CTIC, CLTIC, FNTIC, NTINY)**

This rate is available for individuals or entities that were victims of a national or state disaster. The rate can be used for a Lender's Policy (Standard or Extended), or an Owner's Policy (Standard or Homeowners coverage). To qualify for this rate, the applicant must, prior to the closing of the applicable transaction, make a written request, including a statement meeting the following criteria:

- A. The subject property is in a disaster area declared by the government of the United States or the State of California.
- B. The subject property was substantially or totally destroyed in the declared disaster.
- C. The subject property ownership has not changed since the time of the disaster.

The rate will be fifty percent (50%) of the applicable rate, and the transaction must be completed within sixty (60) months of the date of the declaration of the disaster.

## Notice of Available Discounts

(continued)

### **DISASTER AREA ESCROWS (CTC, CLTC, FNTC, TICOR, LTC)**

This rate is available for individuals or entities that were victims of a national or state disaster. The rate can be used for a loan or a sale escrow transaction. To qualify for this rate, the applicant must, prior to the closing of the applicable transaction, make a written request, including a statement meeting the following criteria:

- A. The subject property is in a disaster area declared by the government of the United States or the State of California.
- B. The subject property was substantially or totally destroyed in the declared disaster.
- C. The subject property ownership has not changed since the time of the disaster.

The rate will be fifty percent (50%) of the applicable rate, and the transaction must be completed within sixty (60) months of the date of the declaration of the disaster. Standard minimum charge applies based upon property type. No other discounts or special rates, or combination of discounts or special rates, shall be applicable. Applies to a single transaction per property.

This rate is applicable to the following Zones/Counties:

Zone 1.A: Orange County

Zone 1.B: Riverside and San Bernardino Counties

Zone 2: Los Angeles County

Zone 3: Ventura County

Zone 10: San Diego County

Zone 12: Imperial County

If used for a sale transaction, the application of this rate assumes the charge for the Residential Sale Escrow Services (RSES) fee will be split evenly between buyer and seller. As such and regardless of how the calculated applicable RSES will be split between the disaster victim and the other principal, the rate will be applied only to one half (1/2) of the calculated applicable RSES fee, regardless of whether the disaster victim is paying half (1/2) of the RSES fee (as is customary) or paying the entire fee. The rate under this provision will be fifty percent (50%) of disaster victims' one half (1/2) portion only and shall not apply to any portion paid by non-disaster victim. Additional services will be charged at the normal rates.

### **MILITARY DISCOUNT RATE (CTIC, CLTIC, FNTIC)**

Upon the Company being advised in writing and prior to the closing of the transaction that an active duty, honorably separated, or retired member of the United States Military or Military Reserves or National Guard is acquiring or selling an owner occupied one-to-four family property, the selling owner or acquiring buyer, as applicable, will be entitled to a discount equal to fifteen percent (15%) of the otherwise applicable rates such party would be charged for title insurance policies. Minimum charge: Four Hundred Twenty-Five And No/100 Dollars (\$425.00)

The Company may require proof of eligibility from the parties to the transaction verifying they are entitled to the discount as described. No other discounts or special rates, or combination of discounts or special rates, shall be applicable.

### **MILITARY RATE (SLTC)**

A discount of twenty percent (20%) off the purchase transaction closing and settlement fee or a discount of One Hundred And No/100 Dollars (\$100.00) off the refinance closing and settlement fee, will be applied when the loan is guaranteed by the United States Veterans Administration and the escrow fee is being paid by the consumer and is listed as paid by borrower on the Closing Disclosure and final Settlement Statement.



Inquire before you wire!

## WIRE FRAUD ALERT

This Notice is not intended to provide legal or professional advice.  
If you have any questions, please consult with a lawyer.

All parties to a real estate transaction are targets for wire fraud and many have lost hundreds of thousands of dollars because they simply relied on the wire instructions received via email, without further verification. **If funds are to be wired in conjunction with this real estate transaction, we strongly recommend verbal verification of wire instructions through a known, trusted phone number prior to sending funds.**

In addition, the following non-exclusive self-protection strategies are recommended to minimize exposure to possible wire fraud.

- **NEVER RELY** on emails purporting to change wire instructions. Parties to a transaction rarely change wire instructions in the course of a transaction.
- **ALWAYS VERIFY** wire instructions, specifically the ABA routing number and account number, by calling the party who sent the instructions to you. DO NOT use the phone number provided in the email containing the instructions, use phone numbers you have called before or can otherwise verify. **Obtain the number of relevant parties to the transaction as soon as an escrow account is opened.** DO NOT send an email to verify as the email address may be incorrect or the email may be intercepted by the fraudster.
- **USE COMPLEX EMAIL PASSWORDS** that employ a combination of mixed case, numbers, and symbols. Make your passwords greater than eight (8) characters. Also, change your password often and do NOT reuse the same password for other online accounts.
- **USE MULTI-FACTOR AUTHENTICATION** for email accounts. Your email provider or IT staff may have specific instructions on how to implement this feature.

For more information on wire-fraud scams or to report an incident, please refer to the following links:

**Federal Bureau of Investigation:**  
<http://www.fbi.gov>

**Internet Crime Complaint Center:**  
<http://www.ic3.gov>

# ATTACHMENT ONE

## CALIFORNIA LAND TITLE ASSOCIATION STANDARD COVERAGE POLICY - 1990 (11-09-18)

### EXCLUSIONS FROM COVERAGE

The following matters are expressly excluded from the coverage of this policy and the Company will not pay loss or damage, costs, attorneys' fees or expenses which arise by reason of:

1. (a) Any law, ordinance or governmental regulation (including but not limited to building or zoning laws, ordinances, or regulations) restricting, regulating, prohibiting or relating (i) the occupancy, use, or enjoyment of the land; (ii) the character, dimensions or location of any improvement now or hereafter erected on the land; (iii) a separation in ownership or a change in the dimensions or area of the land or any parcel of which the land is or was a part; or (iv) environmental protection, or the effect of any violation of these laws, ordinances or governmental regulations, except to the extent that a notice of the enforcement thereof or a notice of a defect, lien, or encumbrance resulting from a violation or alleged violation affecting the land has been recorded in the public records at Date of Policy.
- (b) Any governmental police power not excluded by (a) above, except to the extent that a notice of the exercise thereof or notice of a defect, lien or encumbrance resulting from a violation or alleged violation affecting the land has been recorded in the public records at Date of Policy.
2. Rights of eminent domain unless notice of the exercise thereof has been recorded in the public records at Date of Policy, but not excluding from coverage any taking which has occurred prior to Date of Policy which would be binding on the rights of a purchaser for value without knowledge.
3. Defects, liens, encumbrances, adverse claims or other matters:
  - (a) whether or not recorded in the public records at Date of Policy, but created, suffered, assumed or agreed to by the insured claimant;
  - (b) not known to the Company, not recorded in the public records at Date of Policy, but known to the insured claimant and not disclosed in writing to the Company by the insured claimant prior to the date the insured claimant became an insured under this policy;
  - (c) resulting in no loss or damage to the insured claimant;
  - (d) attaching or created subsequent to Date of Policy; or
  - (e) resulting in loss or damage which would not have been sustained if the insured claimant had paid value for the insured mortgage or for the estate or interest insured by this policy.
4. Unenforceability of the lien of the insured mortgage because of the inability or failure of the insured at Date of Policy, or the inability or failure of any subsequent owner of the indebtedness, to comply with the applicable doing business laws of the state in which the land is situated.
5. Invalidity or unenforceability of the lien of the insured mortgage, or claim thereof, which arises out of the transaction evidenced by the insured mortgage and is based upon usury or any consumer credit protection or truth in lending law.
6. Any claim, which arises out of the transaction vesting in the insured the estate or interest insured by this policy or the transaction creating the interest of the insured lender, by reason of the operation of federal bankruptcy, state insolvency or similar creditors' rights laws.

### EXCEPTIONS FROM COVERAGE - SCHEDULE B, PART I

This policy does not insure against loss or damage (and the Company will not pay costs, attorneys' fees or expenses) which arise by reason of:

1. Taxes or assessments which are not shown as existing liens by the records of any taxing authority that levies taxes or assessments on real property or by the public records.

Proceedings by a public agency which may result in taxes or assessments, or notices of such proceedings, whether or not shown by the records of such agency or by the public records.
2. Any facts, rights, interests, or claims which are not shown by the public records but which could be ascertained by an inspection of the land or which may be asserted by persons in possession thereof.
3. Easements, liens or encumbrances, or claims thereof, not shown by the public records.
4. Discrepancies, conflicts in boundary lines, shortage in area, encroachments, or any other facts which a correct survey would disclose, and which are not shown by the public records.
5. (a) Unpatented mining claims; (b) reservations or exceptions in patents or in Acts authorizing the issuance thereof; (c) water rights, claims or title to water, whether or not the matters excepted under (a), (b) or (c) are shown by the public records.
6. Any lien or right to a lien for services, labor or material unless such lien is shown by the public records at Date of Policy.

### EXCEPTIONS FROM COVERAGE - SCHEDULE B, PART II

*(Variable exceptions such as taxes, easements, CC&R's, etc., are inserted here)*

# ATTACHMENT ONE (CONTINUED)

## CALIFORNIA LAND TITLE ASSOCIATION STANDARD COVERAGE OWNER'S POLICY (02-04-22) EXCLUSIONS FROM COVERAGE

The following matters are excluded from the coverage of this policy, and the Company will not pay loss or damage, costs, attorneys' fees, or expenses that arise by reason of:

1. a. any law, ordinance, permit, or governmental regulation (including those relating to building and zoning) that restricts, regulates, prohibits, or relates to:
  - i. the occupancy, use, or enjoyment of the Land;
  - ii. the character, dimensions, or location of any improvement on the Land;
  - iii. the subdivision of land; or
  - iv. environmental remediation or protection.
- b. any governmental forfeiture, police, regulatory, or national security power.
- c. the effect of a violation or enforcement of any matter excluded under Exclusion 1.a. or 1.b.  
Exclusion 1 does not modify or limit the coverage provided under Covered Risk 5 or 6.
2. Any power of eminent domain. Exclusion 2 does not modify or limit the coverage provided under Covered Risk 7.
3. Any defect, lien, encumbrance, adverse claim, or other matter:
  - a. created, suffered, assumed, or agreed to by the Insured Claimant;
  - b. not Known to the Company, not recorded in the Public Records at the Date of Policy, but Known to the Insured Claimant and not disclosed in writing to the Company by the Insured Claimant prior to the date the Insured Claimant became an Insured under this policy;
  - c. resulting in no loss or damage to the Insured Claimant;
  - d. attaching or created subsequent to the Date of Policy (Exclusion 3.d. does not modify or limit the coverage provided under Covered Risk 9 or 10); or
  - e. resulting in loss or damage that would not have been sustained if consideration sufficient to qualify the Insured named in Schedule A as a bona fide purchaser had been given for the Title at the Date of Policy.
4. Any claim, by reason of the operation of federal bankruptcy, state insolvency, or similar creditors' rights law, that the transaction vesting the Title as shown in Schedule A is a:
  - a. fraudulent conveyance or fraudulent transfer;
  - b. voidable transfer under the Uniform Voidable Transactions Act; or
  - c. preferential transfer:
    - i. to the extent the instrument of transfer vesting the Title as shown in Schedule A is not a transfer made as a contemporaneous exchange for new value; or
    - ii. for any other reason not stated in Covered Risk 9.b.
5. Any claim of a PACA-PSA Trust. Exclusion 5 does not modify or limit the coverage provided under Covered Risk 8.
6. Any lien on the Title for real estate taxes or assessments imposed or collected by a governmental authority that becomes due and payable after the Date of Policy.  
Exclusion 6 does not modify or limit the coverage provided under Covered Risk 2.b.
7. Any discrepancy in the quantity of the area, square footage, or acreage of the Land or of any improvement to the Land.

### EXCEPTIONS FROM COVERAGE

**Some historical land records contain Discriminatory Covenants that are illegal and unenforceable by law. This policy treats any Discriminatory Covenant in a document referenced in Schedule B as if each Discriminatory Covenant is redacted, repudiated, removed, and not republished or recirculated. Only the remaining provisions of the document are excepted from coverage.**

This policy does not insure against loss or damage and the Company will not pay costs, attorneys' fees, or expenses resulting from the terms and conditions of any lease or easement identified in Schedule A, and the following matters:

#### PART I

1. (a) Taxes or assessments that are not shown as existing liens by the records of any taxing authority that levies taxes or assessments on real property or by the Public Records; (b) proceedings by a public agency that may result in taxes or assessments, or notices of such proceedings, whether or not shown by the records of such agency or by the Public Records.
2. Any facts, rights, interests, or claims that are not shown by the Public Records at Date of Policy but that could be (a) ascertained by an inspection of the Land, or (b) asserted by persons or parties in possession of the Land.
3. Easements, liens or encumbrances, or claims thereof, not shown by the Public Records at Date of Policy.
4. Any encroachment, encumbrance, violation, variation, easement, or adverse circumstance affecting the Title that would be disclosed by an accurate and complete land survey of the Land and not shown by the Public Records at Date of Policy.
5. (a) Unpatented mining claims; (b) reservations or exceptions in patents or in Acts authorizing the issuance thereof; (c) water rights, claims or title to water, whether or not the matters excepted under (a), (b), or (c) are shown by the Public Records.
6. Any lien or right to a lien for services, labor, material or equipment unless such lien is shown by the Public Records at Date of Policy.
7. Any claim to (a) ownership of or rights to minerals and similar substances, including but not limited to ores, metals, coal, lignite, oil, gas, uranium, clay, rock, sand, and gravel located in, on, or under the Land or produced from the Land, whether such ownership or rights arise by lease, grant, exception, conveyance, reservation, or otherwise; and (b) any rights, privileges, immunities, rights of way, and easements associated therewith or appurtenant thereto, whether or not the interests or rights excepted in (a) or (b) appear in the Public Records or are shown in Schedule B.

#### PART II

*(Variable exceptions such as taxes, easements, CC&R's, etc., are inserted here)*

**ATTACHMENT ONE  
(CONTINUED)**

**CLTA/ALTA HOMEOWNER'S POLICY OF TITLE INSURANCE (7-01-21)  
EXCLUSIONS FROM COVERAGE**

The following matters are excluded from the coverage of this policy and We will not pay loss or damage, costs, attorneys' fees, or expenses that arise by reason of:

1. a. any law, ordinance, permit, or governmental regulation (including those relating to building and zoning) that restricts, regulates, prohibits, or relates to:
    - i. the occupancy, use, or enjoyment of the Land;
    - ii. the character, dimensions, or location of any improvement on the Land;
    - iii. the subdivision of land; or
    - iv. environmental remediation or protection.
  - b. any governmental forfeiture, police, or regulatory, or national security power.
  - c. the effect of a violation or enforcement of any matter excluded under Exclusion 1.a. or 1.b.
- Exclusion 1 does not modify or limit the coverage provided under Covered Risk 8.a., 14, 15, 16, 18, 19, 20, 23, or 27.
2. Any power to take the Land by condemnation. Exclusion 2 does not modify or limit the coverage provided under Covered Risk 17.
  3. Any defect, lien, encumbrance, adverse claim, or other matter:
    - a. created, suffered, assumed, or agreed to by You;
    - b. not Known to Us, not recorded in the Public Records at the Date of Policy, but Known to You and not disclosed in writing to Us by You prior to the date You became an Insured under this policy;
    - c. resulting in no loss or damage to You;
    - d. attaching or created subsequent to the Date of Policy (Exclusion 3.d. does not modify or limit the coverage provided under Covered Risk 5, 8.f., 25, 26, 27, 28, or 32); or
    - e. resulting in loss or damage that would not have been sustained if You paid consideration sufficient to qualify You as a bona fide purchaser of the Title at the Date of Policy.
  4. Lack of a right:
    - a. to any land outside the area specifically described and referred to in Item 3 of Schedule A; and
    - b. in any street, road, avenue, alley, lane, right-of-way, body of water, or waterway that abut the Land.

Exclusion 4 does not modify or limit the coverage provided under Covered Risk 11 or 21.
  5. The failure of Your existing structures, or any portion of Your existing structures, to have been constructed before, on, or after the Date of Policy in accordance with applicable building codes. Exclusion 5 does not modify or limit the coverage provided under Covered Risk 14 or 15.
  6. Any claim, by reason of the operation of federal bankruptcy, state insolvency, or similar creditors' rights law, that the transfer of the Title to You is a:
    - a. fraudulent conveyance or fraudulent transfer;
    - b. voidable transfer under the Uniform Voidable Transactions Act; or
    - c. preferential transfer:
      - i. to the extent the instrument of transfer vesting the Title as shown in Schedule A is not a transfer made as a contemporaneous exchange for new value; or
      - ii. for any other reason not stated in Covered Risk 30.
  7. Contamination, explosion, fire, flooding, vibration, fracturing, earthquake, or subsidence.
  8. Negligence by a person or an entity exercising a right to extract or develop oil, gas, minerals, groundwater, or any other subsurface substance.
  9. Any lien on Your Title for real estate taxes or assessments, imposed or collected by a governmental authority that becomes due and payable after the Date of Policy. Exclusion 9 does not modify or limit the coverage provided under Covered Risk 8.a or 27.
  10. Any discrepancy in the quantity of the area, square footage, or acreage of the Land or of any improvement to the Land.

**LIMITATIONS ON COVERED RISKS**

Your insurance for the following Covered Risks is limited on the Owner's Coverage Statement as follows:

- For Covered Risk 16, 18, 19 and 21 Your Deductible Amount and Our Maximum Dollar Limit of Liability shown in Schedule A.

The deductible amounts and maximum dollar limits shown on Schedule A are as follows:

	<u>Your Deductible Amount</u>	<u>Our Maximum Dollar Limit of Liability</u>
Covered Risk 16:	1.00% of Policy Amount Shown in Schedule A or \$2,500.00 (whichever is less)	\$ 10,000.00
Covered Risk 18:	1.00% of Policy Amount Shown in Schedule A or \$5,000.00 (whichever is less)	\$ 25,000.00
Covered Risk 19:	1.00% of Policy Amount Shown in Schedule A or \$5,000.00 (whichever is less)	\$ 25,000.00
Covered Risk 21:	1.00% of Policy Amount Shown in Schedule A or \$2,500.00 (whichever is less)	\$ 5,000.00

**ATTACHMENT ONE  
(CONTINUED)**

**CLTA/ALTA HOMEOWNER'S POLICY OF TITLE INSURANCE (12-02-13)  
EXCLUSIONS**

In addition to the Exceptions in Schedule B, You are not insured against loss, costs, attorneys' fees, and expenses resulting from:

1. Governmental police power, and the existence or violation of those portions of any law or government regulation concerning:
  - a. building;
  - b. zoning;
  - c. land use;
  - d. improvements on the Land;
  - e. land division; and
  - f. environmental protection.This Exclusion does not limit the coverage described in Covered Risk 8.a., 14, 15, 16, 18, 19, 20, 23 or 27.
2. The failure of Your existing structures, or any part of them, to be constructed in accordance with applicable building codes. This Exclusion does not limit the coverage described in Covered Risk 14 or 15.
3. The right to take the Land by condemning it. This Exclusion does not limit the coverage described in Covered Risk 17.
4. Risks:
  - a. that are created, allowed, or agreed to by You, whether or not they are recorded in the Public Records;
  - b. that are Known to You at the Policy Date, but not to Us, unless they are recorded in the Public Records at the Policy Date;
  - c. that result in no loss to You; or
  - d. that first occur after the Policy Date - this does not limit the coverage described in Covered Risk 7, 8.e., 25, 26, 27 or 28.
5. Failure to pay value for Your Title.
6. Lack of a right:
  - a. to any land outside the area specifically described and referred to in paragraph 3 of Schedule A; and
  - b. in streets, alleys, or waterways that touch the Land.This Exclusion does not limit the coverage described in Covered Risk 11 or 21.
7. The transfer of the Title to You is invalid as a preferential transfer or as a fraudulent transfer or conveyance under federal bankruptcy, state insolvency, or similar creditors' rights laws.
8. Contamination, explosion, fire, flooding, vibration, fracturing, earthquake or subsidence.
9. Negligence by a person or an Entity exercising a right to extract or develop minerals, water, or any other substances.

**LIMITATIONS ON COVERED RISKS**

Your insurance for the following Covered Risks is limited on the Owner's Coverage Statement as follows:

- For Covered Risk 16, 18, 19 and 21, Your Deductible Amount and Our Maximum Dollar Limit of Liability shown in Schedule A.

The deductible amounts and maximum dollar limits shown on Schedule A are as follows:

	<u>Your Deductible Amount</u>	<u>Our Maximum Dollar Limit of Liability</u>
Covered Risk 16:	1.00% of Policy Amount Shown in Schedule A or \$2,500.00 (whichever is less)	\$ 10,000.00
Covered Risk 18:	1.00% of Policy Amount Shown in Schedule A or \$5,000.00 (whichever is less)	\$ 25,000.00
Covered Risk 19:	1.00% of Policy Amount Shown in Schedule A or \$5,000.00 (whichever is less)	\$ 25,000.00
Covered Risk 21:	1.00% of Policy Amount Shown in Schedule A or \$2,500.00 (whichever is less)	\$ 5,000.00

# ATTACHMENT ONE (CONTINUED)

## ALTA OWNER'S POLICY (07-01-2021)

### EXCLUSIONS FROM COVERAGE

The following matters are excluded from the coverage of this policy, and the Company will not pay loss or damage, costs, attorneys' fees, or expenses that arise by reason of:

1. a. any law, ordinance, permit, or governmental regulation (including those relating to building and zoning) that restricts, regulates, prohibits, or relates to:
    - i. the occupancy, use, or enjoyment of the Land;
    - ii. the character, dimensions, or location of any improvement on the Land;
    - iii. the subdivision of land; or
    - iv. environmental remediation or protection.
  - b. any governmental forfeiture, police, regulatory, or national security power.
  - c. the effect of a violation or enforcement of any matter excluded under Exclusion 1.a. or 1.b.
- Exclusion 1 does not modify or limit the coverage provided under Covered Risk 5 or 6.
2. Any power of eminent domain. Exclusion 2 does not modify or limit the coverage provided under Covered Risk 7.
  3. Any defect, lien, encumbrance, adverse claim, or other matter:
    - a. created, suffered, assumed, or agreed to by the Insured Claimant;
    - b. not Known to the Company, not recorded in the Public Records at the Date of Policy, but Known to the Insured Claimant and not disclosed in writing to the Company by the Insured Claimant prior to the date the Insured Claimant became an Insured under this policy;
    - c. resulting in no loss or damage to the Insured Claimant;
    - d. attaching or created subsequent to the Date of Policy (Exclusion 3.d. does not modify or limit the coverage provided under Covered Risk 9 or 10); or
    - e. resulting in loss or damage that would not have been sustained if consideration sufficient to qualify the Insured named in Schedule A as a bona fide purchaser had been given for the Title at the Date of Policy.
  4. Any claim, by reason of the operation of federal bankruptcy, state insolvency, or similar creditors' rights law, that the transaction vesting the Title as shown in Schedule A is a:
    - a. fraudulent conveyance or fraudulent transfer;
    - b. voidable transfer under the Uniform Voidable Transactions Act; or
    - c. preferential transfer:
      - i. to the extent the instrument of transfer vesting the Title as shown in Schedule A is not a transfer made as a contemporaneous exchange for new value; or
      - ii. for any other reason not stated in Covered Risk 9.b.
  5. Any claim of a PACA-PSA Trust. Exclusion 5 does not modify or limit the coverage provided under Covered Risk 8.
  6. Any lien on the Title for real estate taxes or assessments, imposed or collected by a governmental authority that becomes due and payable after the Date of Policy. Exclusion 6 does not modify or limit the coverage provided under Covered Risk 2.b.
  7. Any discrepancy in the quantity of the area, square footage, or acreage of the Land or of any improvement to the Land.

### EXCEPTIONS FROM COVERAGE

**Some historical land records contain Discriminatory Covenants that are illegal and unenforceable by law. This policy treats any Discriminatory Covenant in a document referenced in Schedule B as if each Discriminatory Covenant is redacted, repudiated, removed, and not republished or recirculated. Only the remaining provisions of the document are excepted from coverage.**

This policy does not insure against loss or damage and the Company will not pay costs, attorneys' fees, or expenses resulting from the terms and conditions of any lease or easement identified in Schedule A, and the following matters:

*NOTE: The 2021 ALTA Owner's Policy may be issued to afford either Standard Coverage or Extended Coverage. In addition to variable exceptions such as taxes, easements, CC&R's, etc., the Exceptions from Coverage in a Standard Coverage policy will also include the Western Regional Standard Coverage Exceptions listed as 1 through 7 below:*

1. (a) Taxes or assessments that are not shown as existing liens by the records of any taxing authority that levies taxes or assessments on real property or by the Public Records; (b) proceedings by a public agency that may result in taxes or assessments, or notices of such proceedings, whether or not shown by the records of such agency or by the Public Records.
2. Any facts, rights, interests, or claims that are not shown by the Public Records at Date of Policy but that could be (a) ascertained by an inspection of the Land or (b) asserted by persons or parties in possession of the Land.
3. Easements, liens or encumbrances, or claims thereof, not shown by the Public Records at Date of Policy.
4. Any encroachment, encumbrance, violation, variation, easement, or adverse circumstance affecting the Title that would be disclosed by an accurate and complete land survey of the Land and not shown by the Public Records at Date of Policy.
5. (a) Unpatented mining claims; (b) reservations or exceptions in patents or in Acts authorizing the issuance thereof; (c) water rights, claims or title to water, whether or not the matters excepted under (a), (b), or (c) are shown by the Public Records.
6. Any lien or right to a lien for services, labor, material or equipment unless such lien is shown by the Public Records at Date of Policy.
7. Any claim to (a) ownership of or rights to minerals and similar substances, including but not limited to ores, metals, coal, lignite, oil, gas, uranium, clay, rock, sand, and gravel located in, on, or under the Land or produced from the Land, whether such ownership or rights arise by lease, grant, exception, conveyance, reservation, or otherwise; and (b) any rights, privileges, immunities, rights of way, and easements associated therewith or appurtenant thereto, whether or not the interests or rights excepted in (a) or (b) appear in the Public Records or are shown in Schedule B.

# ATTACHMENT ONE (CONTINUED)

## 2006 ALTA OWNER'S POLICY (06-17-06)

### EXCLUSIONS FROM COVERAGE

The following matters are expressly excluded from the coverage of this policy, and the Company will not pay loss or damage, costs, attorneys' fees, or expenses that arise by reason of:

1. (a) Any law, ordinance, permit, or governmental regulation (including those relating to building and zoning) restricting, regulating, prohibiting, or relating to
  - (i) the occupancy, use, or enjoyment of the Land;
  - (ii) the character, dimensions, or location of any improvement erected on the Land;
  - (iii) the subdivision of land; or
  - (iv) environmental protection;or the effect of any violation of these laws, ordinances, or governmental regulations. This Exclusion 1(a) does not modify or limit the coverage provided under Covered Risk 5.
- (b) Any governmental police power. This Exclusion 1(b) does not modify or limit the coverage provided under Covered Risk 6.
2. Rights of eminent domain. This Exclusion does not modify or limit the coverage provided under Covered Risk 7 or 8.
3. Defects, liens, encumbrances, adverse claims, or other matters
  - (a) created, suffered, assumed, or agreed to by the Insured Claimant;
  - (b) not Known to the Company, not recorded in the Public Records at Date of Policy, but Known to the Insured Claimant and not disclosed in writing to the Company by the Insured Claimant prior to the date the Insured Claimant became an Insured under this policy;
  - (c) resulting in no loss or damage to the Insured Claimant;
  - (d) attaching or created subsequent to Date of Policy (however, this does not modify or limit the coverage provided under Covered Risk 9 and 10); or
  - (e) resulting in loss or damage that would not have been sustained if the Insured Claimant had paid value for the Title.
4. Any claim, by reason of the operation of federal bankruptcy, state insolvency, or similar creditors' rights laws, that the transaction vesting the Title as shown in Schedule A, is
  - (a) a fraudulent conveyance or fraudulent transfer; or
  - (b) a preferential transfer for any reason not stated in Covered Risk 9 of this policy.
5. Any lien on the Title for real estate taxes or assessments imposed by governmental authority and created or attaching between Date of Policy and the date of recording of the deed or other instrument of transfer in the Public Records that vests Title as shown in Schedule A.

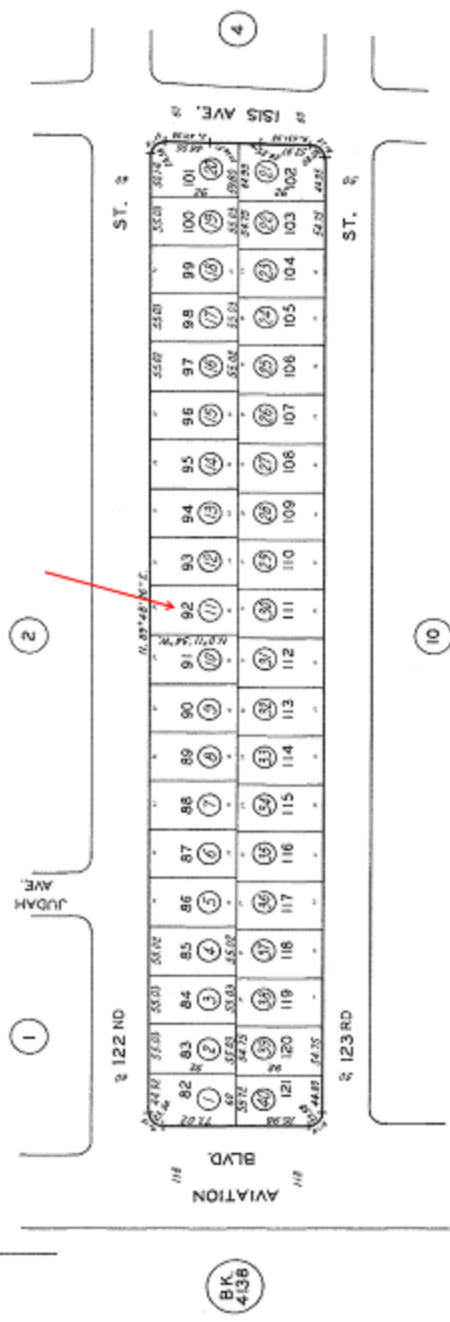
### EXCEPTIONS FROM COVERAGE

This policy does not insure against loss or damage, and the Company will not pay costs, attorneys' fees, or expenses that arise by reason of:

*NOTE: The 2006 ALTA Owner's Policy may be issued to afford either Standard Coverage or Extended Coverage. In addition to variable exceptions such as taxes, easements, CC&R's, etc., the Exceptions from Coverage in a Standard Coverage policy will also include the Western Regional Standard Coverage Exceptions listed below as 1 through 7 below:*

1. (a) Taxes or assessments that are not shown as existing liens by the records of any taxing authority that levies taxes or assessments on real property or by the Public Records; (b) proceedings by a public agency that may result in taxes or assessments, or notices of such proceedings, whether or not shown by the records of such agency or by the Public Records.
2. Any facts, rights, interests, or claims that are not shown by the Public Records at Date of Policy but that could be (a) ascertained by an inspection of the Land, or (b) asserted by persons or parties in possession of the Land.
3. Easements, liens or encumbrances, or claims thereof, not shown by the Public Records at Date of Policy.
4. Any encroachment, encumbrance, violation, variation, easement, or adverse circumstance affecting the Title that would be disclosed by an accurate and complete land survey of the Land and not shown by the Public Records at Date of Policy.
5. (a) Unpatented mining claims; (b) reservations or exceptions in patents or in Acts authorizing the issuance thereof; (c) water rights, claims or title to water, whether or not the matters excepted under (a), (b), or (c) are shown by the Public Records.
6. Any lien or right to a lien for services, labor, material or equipment unless such lien is shown by the Public Records at Date of Policy.]
7. Any claim to (a) ownership of or rights to minerals and similar substances, including but not limited to ores, metals, coal, lignite, oil, gas, uranium, clay, rock, sand, and gravel located in, on, or under the Land or produced from the Land, whether such ownership or rights arise by lease, grant, exception, conveyance, reservation, or otherwise; and (b) any rights, privileges, immunities, rights of way, and easements associated therewith or appurtenant thereto, whether or not the interests or rights excepted in (a) or (b) appear in the Public Records or are shown in Schedule B.

4143 3  
SCALE 3" = 100'



CODE  
9676

FOR PREV. ASSMT SEE:  
4143 - 34

TRACT NO. 15950 M.B. 355 - 29 - 34

ASSESSOR'S MAP  
COUNTY OF LOS ANGELES, CALIF.

This map/plat is being furnished as an aid in locating the herein described Land in relation to adjoining streets, natural boundaries and other land, and is not a survey of the land depicted. Except to the extent a policy of title insurance is expressly modified by endorsement, if any, the Company does not insure dimensions, distances, location of easements, acreage or other matters shown thereon.

Order: LT1257807395  
Doc: 4143-3 MAP ASSESSOR

Page 1 of 1 Requested By: Sergio Pimentel , Printed: 10/31/2025 1:14 PM



STATEMENT OF INFORMATION
CONFIDENTIAL INFORMATION
FOR YOUR PROTECTION

Escrow No.: LT1257807395

Completion of this statement expedites your application for title insurance, as it assists in establishing identity, eliminating matters affecting persons with similar names and avoiding the use of fraudulent or forged documents. Complete all blanks (please print) or indicate "none" or "N/A." If more space is needed for any item(s), use the reverse side of the form. Each party (and spouse/domestic partner, if applicable) to the transaction should personally sign this form.

NAME AND PERSONAL INFORMATION

First Name Middle Name Last Name Maiden Name Date of Birth
(If none, indicate)

Home Phone Business Phone Birthplace

Cell Phone Fax Email

Social Security No. Driver's License No.

List any other name you have used or been known by

State of residence I have lived continuously in the U.S.A. since

Are you currently married? Yes No Are you currently a registered domestic partner? Yes No

If yes, complete the following information:

Date and place of marriage

Spouse/Domestic Partner First Name Middle Name Last Name Maiden Name Date of Birth
(If none, indicate)

Home Phone Business Phone Birthplace

Cell Phone Fax Email

Social Security No. Driver's License No.

List any other name you have used or been known by

State of residence I have lived continuously in the U.S.A. since

CHILDREN

Child Name: Date of Birth: Child Name: Date of Birth:

Child Name: Date of Birth: Child Name: Date of Birth:
(if more space is required, use reverse side of form)

RESIDENCES (LAST 10 YEARS)

Number & Street City From (date) to (date)

Number & Street City From (date) to (date)
(if more space is required, use reverse side of form)

OCCUPATIONS/BUSINESSES (LAST 10 YEARS)

Firm or Business Name Address From (date) to (date)

Firm or Business Name Address From (date) to (date)
(if more space is required, use reverse side of form)

SPOUSE'S/DOMESTIC PARTNER'S OCCUPATIONS/BUSINESSES (LAST 10 YEARS)

Firm or Business Name Address From (date) to (date)

Firm or Business Name Address From (date) to (date)
(if more space is required, use reverse side of form)

**STATEMENT OF INFORMATION**  
**CONFIDENTIAL INFORMATION FOR YOUR PROTECTION**  
(continued)

**PRIOR MARRIAGE(S) and PRIOR DOMESTIC PARTNERSHIP(S)**

Any prior marriages or domestic partnerships for either person? \_\_\_\_\_ If yes, complete the following:

Prior spouse's (Party A) name: \_\_\_\_\_ Prior Spouse of Party A: \_\_\_\_\_

Marriage ended by:  Death  Divorce/Dissolution  Nullification Date of Death/Divorce: \_\_\_\_\_

Prior spouse's (Party B) name: \_\_\_\_\_ Prior Spouse of Party B: \_\_\_\_\_ Spouse

Marriage ended by:  Death  Divorce/Dissolution  Nullification Date of Death/Divorce: \_\_\_\_\_

(if more space is required, use reverse side of form)

---

**INFORMATION ABOUT THE PROPERTY**

Buyer intends to reside on the property in this transaction:  Yes  No

**Owner to complete the following items**

Street Address of Property in this transaction: \_\_\_\_\_

The land is  unimproved; or improved with a structure of the following type:  A Single or 1-4 Family  Condo Unit  Other \_\_\_\_\_

Improvements, remodeling or repairs to this property have been made within the past six (6) months:  Yes  No

If yes, have all costs for labor and materials arising in connection therewith been paid in full?  Yes  No

Any current loans on property? \_\_\_\_\_ If yes, complete the following:

Lender \_\_\_\_\_ Loan Amount \_\_\_\_\_ Loan Account No. \_\_\_\_\_

Lender \_\_\_\_\_ Loan Amount \_\_\_\_\_ Loan Account No. \_\_\_\_\_

---

The undersigned declare, under penalty of perjury, that the foregoing is true and correct.

IN WITNESS WHEREOF, the undersigned have executed this document on the date(s) set forth below.

\_\_\_\_\_  
Signature

\_\_\_\_\_  
Date

\_\_\_\_\_  
Print Name

\_\_\_\_\_  
Signature

\_\_\_\_\_  
Date

\_\_\_\_\_  
Print Name

(Note: If applicable, both spouses/domestic partners must sign.)

**THANK YOU.**